

# HIGH EFFICIENCY MONO COLOURED PV MODULE



**NORTH AMERICAN  
MANUFACTURER**

Mitrex is a world-leading manufacturer of standard solar and BIPV products based in Canada. With over 20 years of experience, Mitrex guarantees high-quality, fully-automated manufacturing and continuous innovation in solar technology.



**QUALITY, DURABILITY &  
PERFORMANCE**

Mitrex panels are engineered with the highest quality- featuring wide-ranging compatibility with racking and electrical components, advanced cell technology, ability to withstand high snow/wind load conditions, and high performing modules.



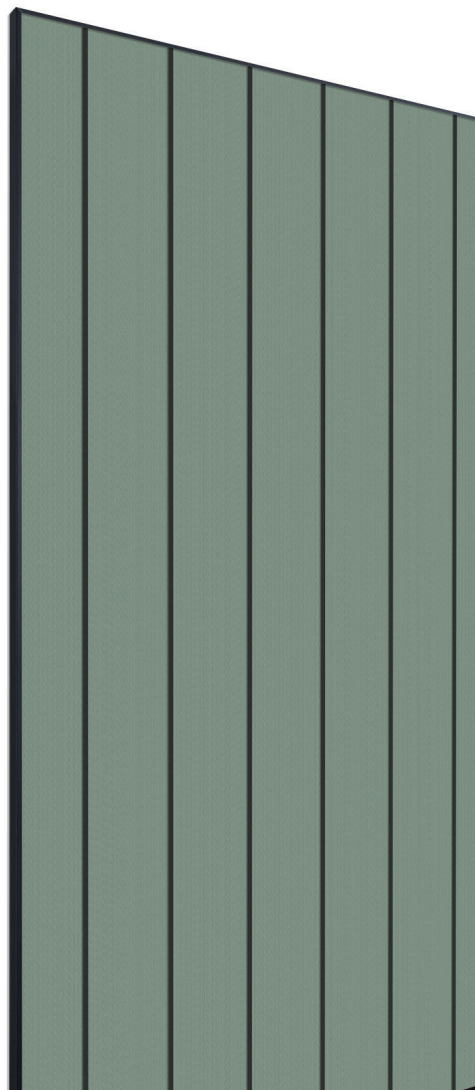
**25-YEAR PRODUCT &  
PERFORMANCE WARRANTY**

All our products come with an industry leading 25-year warranty for products and performance, ensuring the quality of the hardware, energy generation, and aesthetics are maintained.

**MITREX™**

BUILDING-INTEGRATED SOLAR TECHNOLOGY

THE WORLD'S LARGEST BIPV MANUFACTURER



**Green Wood Tile  
Landscape - 280W**



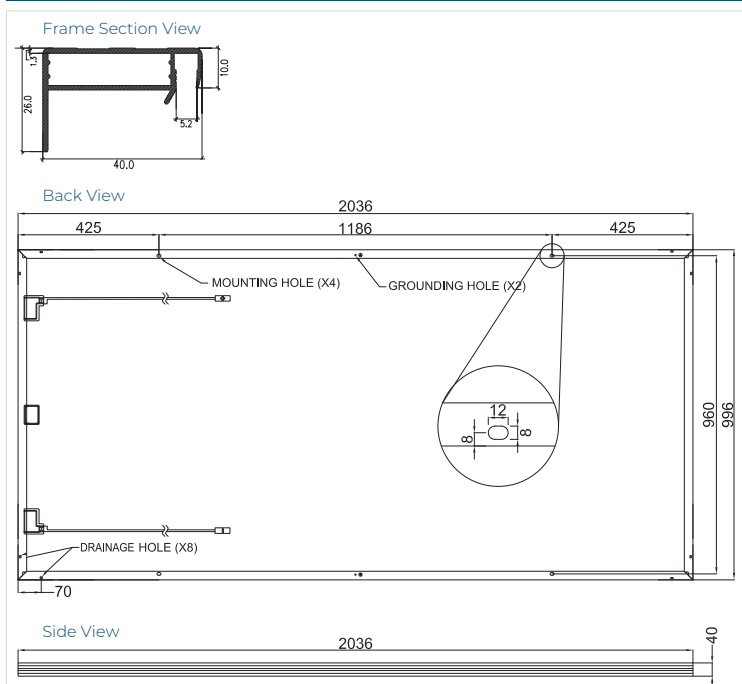
ELECTRICAL SPECIFICATIONS	SOLAR SIDING GREEN WOOD TILE	I-V CURVES
<b>Test Conditions</b>	<b>STC</b>	
Module Power (Pmax)	280W	
Maximum Power Voltage (Vpmax)	40.4V	
Maximum Power Current (Ipmax)	6.93A	
Open Circuit Voltage (Voc)	48.2V	
Short Circuit Current (Isc)	7.24A	
Module Efficiency	13.8%	
Maximum System Voltage (VDC)	1000V (IEC/UL)	
Series Fuse Rating	20A	
Power & Other Electrical Specification Tolerance	5%	
Application Classification	Class A	

Measurement Conditions: STC 1000 W/m<sup>2</sup> - AM 1.5 - Temperature 25°C

MECHANICAL PROPERTIES	METRIC	IMPERIAL
Module Weight	22 kg	48.5 lbs
Dimensions (H x L x D)	2036 x 996 x 40mm	80.2 x 39.2 x 1.6in
Maximum Surface Load (Wind / Snow)	2400Pa rear load / 2400Pa front load	50.1psf rear load / 50.1psf front load
Hail Impact Resistance	Ø 25mm at 83 km/h	Ø 1in at 51.6 mph
Cells	72 [12x6] Mono-crystalline (158.75 x 158.75mm)	72 [12x6] Mono-crystalline (6.25 x 6.25in)
Glass	3.2mm tempered glass, high transmittance, anti-reflective coating	0.126in tempered glass, high transmittance, anti-reflective coating
Cables & Connectors (Refer to Installation Manual)	300mm, 1000mm, 1200mm - 4mm <sup>2</sup> , 12 AWG (UL) MC4 from Staubli	11.8in, 39.4in, 47.2in - 0.16in <sup>2</sup> , 12 AWG (UL) MC4 from Staubli
Backsheet	High durability, UV resistant, PV backsheet	
Frame	Anodized aluminum alloy black frame	
Bypass Diodes	3 diodes- 30SQ045T (45V max DC blocking voltage, 30A max forward rectified current)	
Junction Box	IP68 rated, TUV and UL certified	
Fire Rating	Type II	

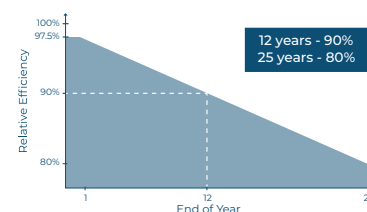
TEMPERATURE RATINGS	SHIPPING		
Temperature Coefficient Isc	0.036% /°C	Modules Per Pallet	25
Temperature Coefficient Voc	-0.27% /°C	Pallets Per Truck	28
Temperature Coefficient Pmax	-0.36% /°C	Modules Per Truck	700
Nominal Module Operating Temperature	42 ± 3°C		
Operating Temperature	-40°C ~ +85°C		

ENGINEERING DRAWING	WARRANTY
---------------------	----------



Product Warranty: 25 years  
Performance Warranty:

- ≥ 97% end of 1st year
- ≥ 90% end of 12th year
- ≥ 80% end of 25th year



CERTIFICATIONS
----------------

UL 61730-1/-2, CSA C22.2 #61730-1/-2, IEC 61730-1/-2

- Datasheet is subjected to change without prior notice, always obtain the most recent version of the datasheet.  
- Caution: For professional use only, the installation, handling, and cleaning of PV modules should only be performed by qualified professionals. Read the Installation Manual for mounting specifications before handling, installing and operating modules.

Learn More:  
[mitrex.com](http://mitrex.com)    [info@mitrex.com](mailto:info@mitrex.com)

<b>Headquarters:</b> 41 Racine Rd., Toronto, ON M9W 2Z4, Canada +1 (855) 254 0214 (Toll Free)	<b>West USA Location:</b> 10880 Wilshire Blvd Suite 1101, Los Angeles, CA 90024, USA +1 (323) 301 7978	<b>East USA Location:</b> 1 Rockefeller Plaza Fl 11, New York, NY 10020, USA +1 (646) 583 4486
---	--	--