

SOLAR GLASS²

D.E

High Efficiency Mono Module

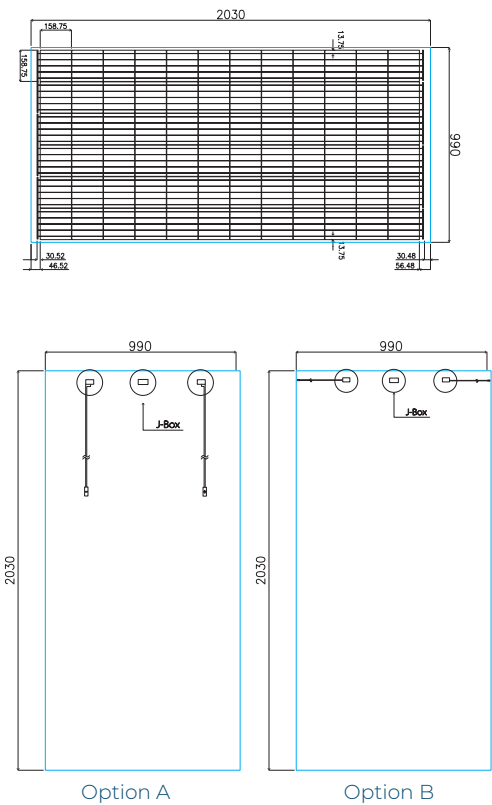
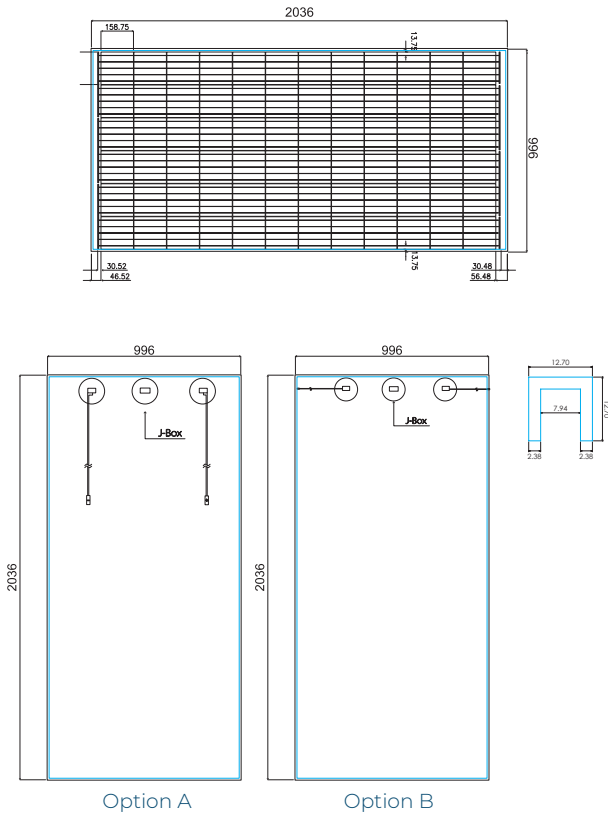
390 W

1000V

ENGINEERING DRAWING (mm)

FRAMED OPTION



FRAMELESS OPTION





Overall Dimensions	2036x996x12.7mm
Front Cover	3.2 mm tempered glass
Back Cover	3.2 mm tempered glass
Weight	36kg
Frame	C-Channel Aluminum Alloy

Overall Dimensions	2030x990x7mm
Front Cover	3.2 mm tempered glass
Back Cover	3.2 mm tempered glass
Weight	35kg


Learn More:

 mitrex.com
 info@mitrex.com

Headquarters:

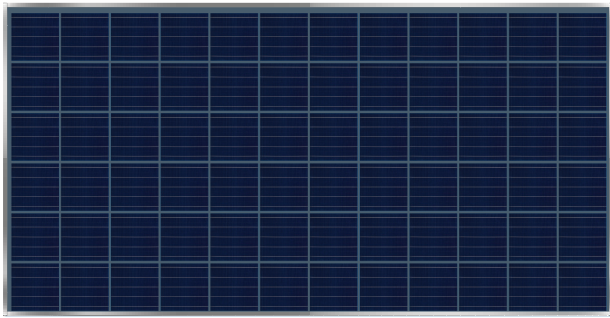
 41 Racine Rd., Toronto,
ON M9W 2Z4, Canada
 +1 (416) 497 7120

West USA Location:

 10880 Wilshire Blvd Suite 1101,
Los Angeles, CA 90024, USA
 +1 (323) 301 7978

East USA Location:

 1 Rockefeller Plaza Fl 11,
New York, NY 10020, USA
 +1 (646) 583 4486



SOLAR GLASS²

D.E

High Efficiency Mono Module

390 W

1000V

MECHANICAL DATA

SPECIFICATIONS	D.E SOLAR GLASS ²
Cell Type	Mono-crystalline
Cell Arrangement	72 (12x6)
Encapsulant	Dark EVA
J-Box	IP68, 3 bypass diodes
Cable	4mm ² , 12 AWG (UL)
Cable Length (including Connector)	300mm, 500mm, 1000mm, 1200mm
Connector	MC4

TEMPERATURE CHARACTERISTICS

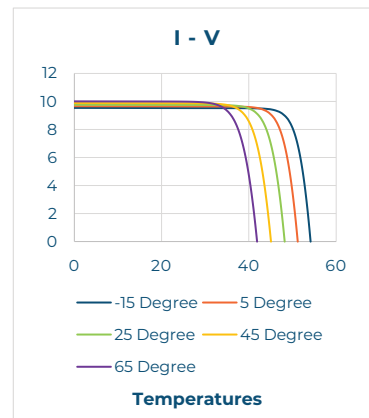
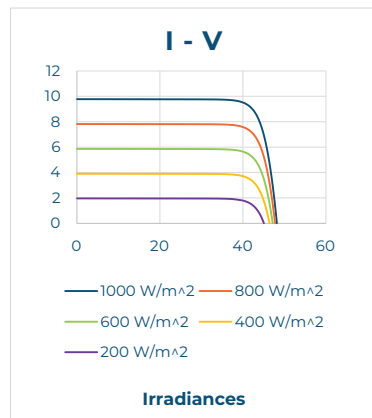
SPECIFICATIONS	D.E SOLAR GLASS ²
Temperature Coefficient Pmax	-0.36% / °C
Temperature Coefficient Voc	-0.30% / °C
Temperature Coefficient Isc	0.046% / °C
Nominal Module Operating Temperature	42 ± 3°C

ELECTRICAL DATA | STC*

SPECIFICATIONS	D.E SOLAR GLASS ²
Nominal Max. Power (Pmax)**	390W
MPP Operating Voltage (Vmp)**	41.9V
MPP Operating Current (Imp)**	7.87A
Open Circuit Voltage (Voc)**	48.2V
Short Circuit Current (Isc)**	8.23A
Cell Efficiency	22% - 22.5%
Operating Temperature	-40°C ~ +85°C
Max. System Voltage	1000V (IEC/UL)
Max. Series Fuse Rating	20A
Application Classification	Class A

* Under Standard Test Conditions (STC) of irradiance of 1000 W/m², spectrum AM 1.5 and cell temperature of 25°C.

** This value varies depending on the colour of the panel.




Learn More:

 mitrex.com

 info@mitrex.com


Headquarters:

 41 Racine Rd., Toronto, ON M9W 2Z4, Canada

 +1 (416) 497 7120

West USA Location:

 10880 Wilshire Blvd Suite 1101, Los Angeles, CA 90024, USA

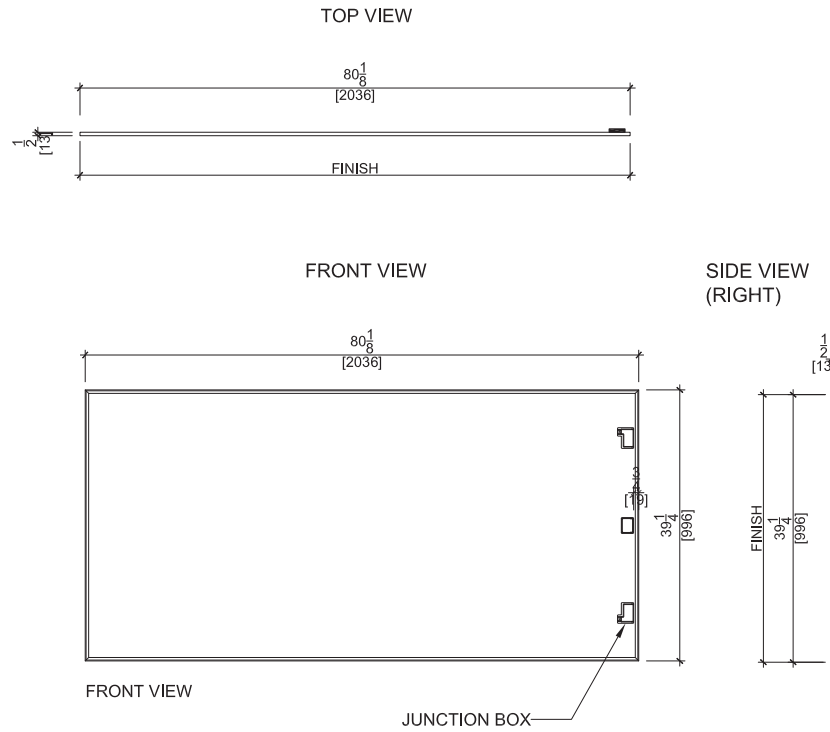
 +1 (323) 301 7978

East USA Location:

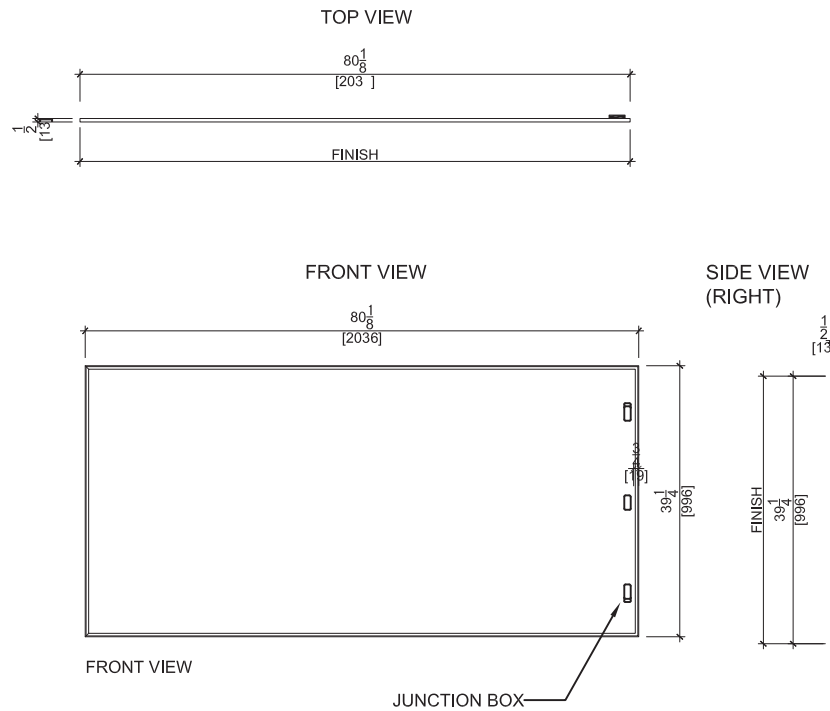
 1 Rockefeller Plaza Fl 11, New York, NY 10020, USA

 +1 (646) 583 4486

FRAMED TECHNICAL DRAWING (OPTION A)



FRAMED TECHNICAL DRAWING (OPTION B)



Learn More:

 mitrex.com

 info@mitrex.com


Headquarters:

 41 Racine Rd., Toronto, ON M9W 2Z4, Canada

 +1 (416) 497 7120

West USA Location:

 10880 Wilshire Blvd Suite 1101, Los Angeles, CA 90024, USA

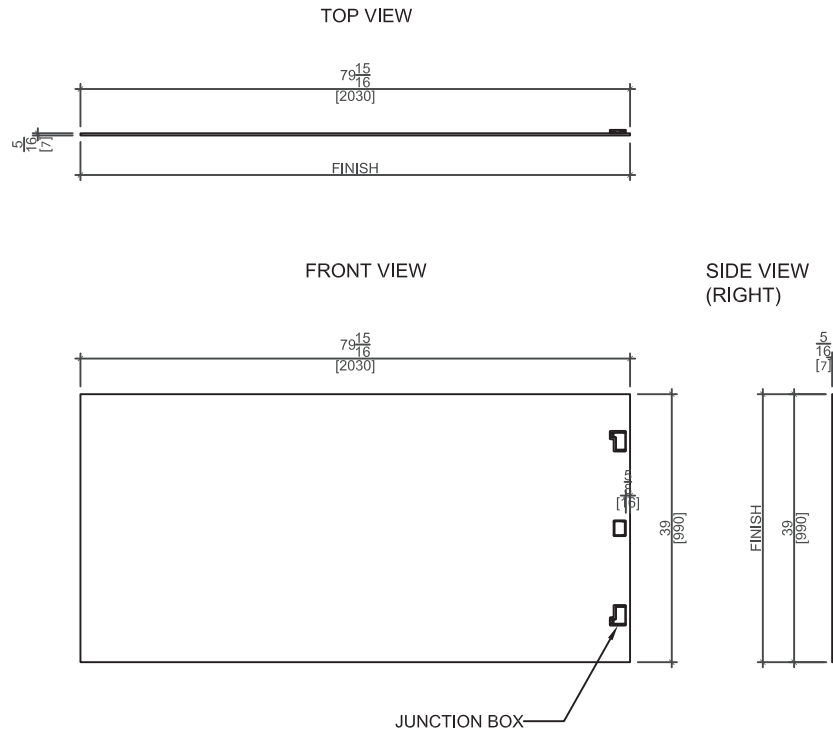
 +1 (323) 301 7978

East USA Location:

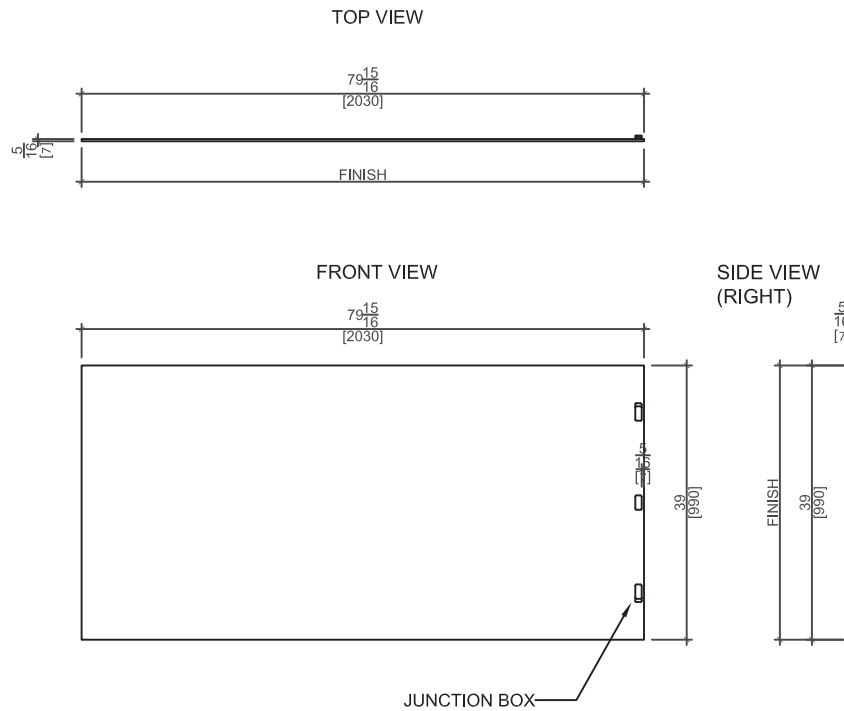
 1 Rockefeller Plaza Fl 11, New York, NY 10020, USA

 +1 (646) 583 4486

FRAMELESS TECHNICAL DRAWING (OPTION A)



FRAMELESS TECHNICAL DRAWING (OPTION B)




Learn More:

 mitrex.com

 info@mitrex.com


Headquarters:

 41 Racine Rd., Toronto, ON M9W 2Z4, Canada

 +1 (416) 497 7120

West USA Location:

 10880 Wilshire Blvd Suite 1101, Los Angeles, CA 90024, USA

 +1 (323) 301 7978

East USA Location:

 1 Rockefeller Plaza Fl 11, New York, NY 10020, USA

 +1 (646) 583 4486